

ポリゴンミラー Scanner モーター

Polygon Mirror Scanner Motor



SPECIFICATIONS

MODEL	RATED VOALTAGE	RATED SPEED	STARTING CURRENT
	VDC	r/min	A
DR-24312	24	45000	2.5
DR-30312	24	35000	2.5

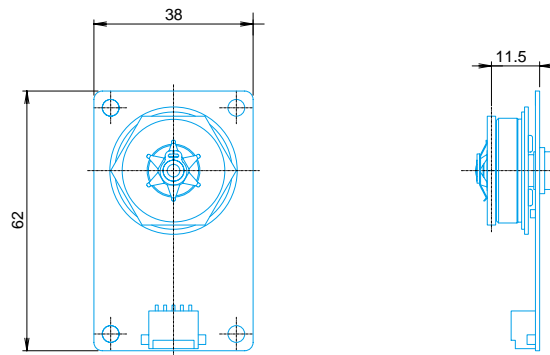
STANDARD MIRROR SPEC

Facet	Inscribed Circle	Thickness	Reflection	Plane Flatness
		mm	%	
6 faces	25.98	t2	80	/ 4
6 faces	34.64	t2	80	/ 4
6 faces	36.00	t2	80	/ 4

* at = 632.8mm

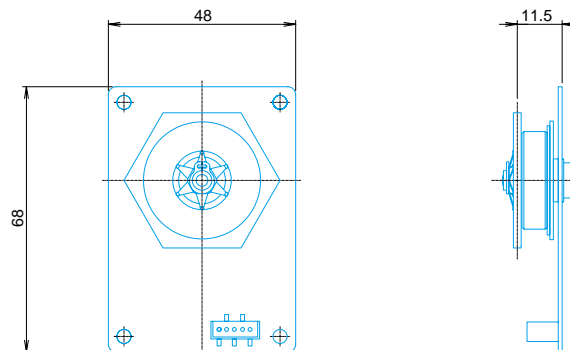
DIMENSIONS (Example)

DR-24312 (Mini Polygon)



DR-24312

DR-30312



INFORMATION

ミラーの仕様や回転数は、お客様のご要望に応じます。
We design motor speed and mirror specification based on customer requests.
ミラー単体での加工・販売もおこなっております。
Polygon mirror as single component is also available.