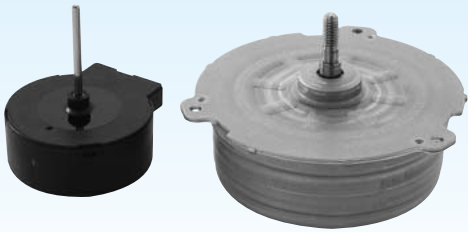


DC ブラシレスモータ

DC Brushless Motor

インナーロータタイプ Inner Rotor Motor

DR-8538 SERIES



SPECIFICATIONS

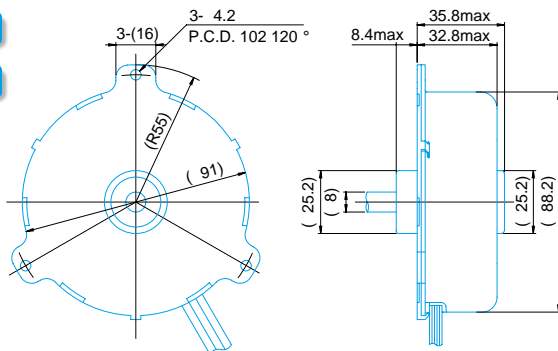
MODEL	RATED VOLTAGE	MAX TORQUE	RATED SPEED	MAX CURRENT	Voltage Type
	(DCV)	(mNm)	(r/min)	(A)	
DR-8538-6type	140 (280)	74.5	6500	0.6 (0.3)	High Input Voltage
DR-8538-8type	140 (280)	88.2	6500	0.6 (0.3)	High Input Voltage

DR-8538-6type

DIMENSIONS (Example)

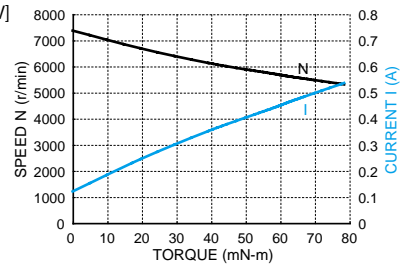
Low Voltage

High Voltage



High Voltage

[120DCV]

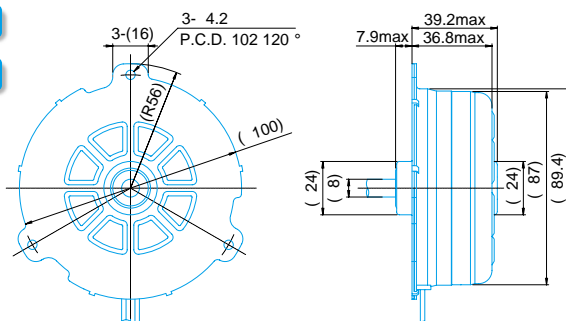


DR-8538-8type

DIMENSIONS (Example)

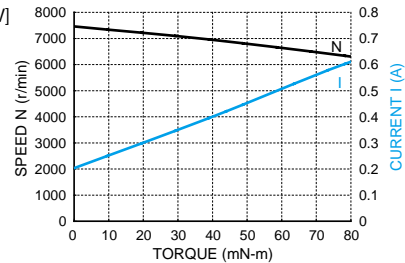
Low Voltage

High Voltage



High Voltage

[120DCV]



INFORMATION

電源電圧及び出力のご要求に応じて、マグネット、着磁、積層、巻線を最適にデザインいたします。
We optimize motor design with appropriate magnet, magnetization, lamination and winding based on input voltage & output requirements.
DR-8538/8938系はAC200V系の平滑電圧DC ~ 380Vへも対応ができます。
We design DR-8538/8938 to endure up tp 380VDC input voltage.