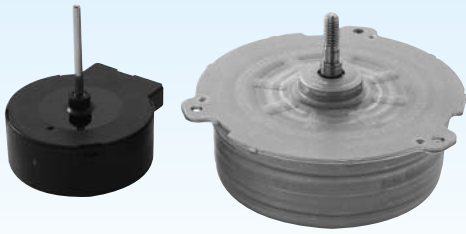


DCブラシレスモータ

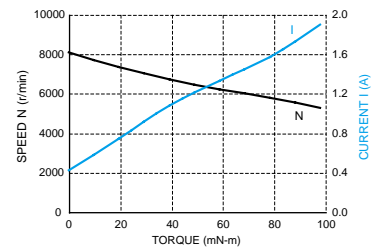
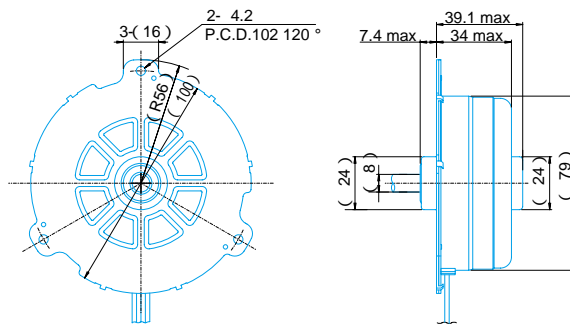
DC Brushless Motor

インナーロータタイプ Inner Rotor Motor



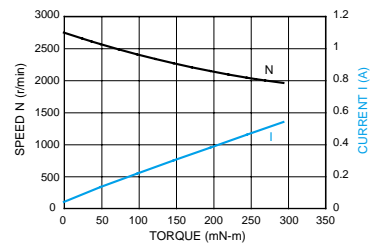
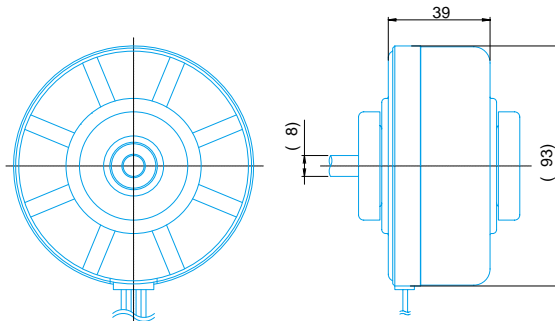
DR-7738

RATED VOLTAGE : 24 ~ 48 DCV
MAX TORQUE : 63.7 mNm
RATED SPEED : 6000 r/min
RATED CURRENT : 1.4 A



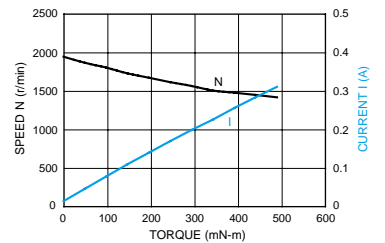
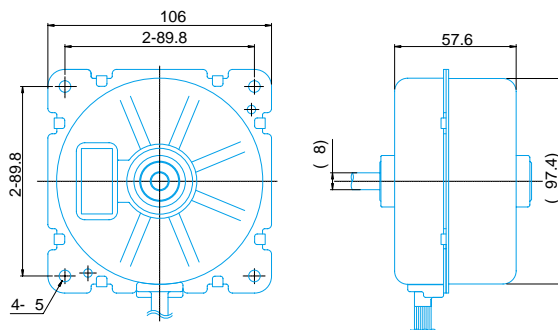
DR-8838

RATED VOLTAGE : 140 (280) DCV
MAX TORQUE : 245 (196) mNm
RATED SPEED : 1520 (1800) r/min
RATED CURRENT : 0.36 (0.17) A



DR-9538

RATED VOLTAGE : 280 DCV
MAX TORQUE : 392 mNm
RATED SPEED : 850 r/min
RATED CURRENT : 0.16 A



INFORMATION

電源電圧及び出力のご要求に応じて、マグネット、着磁、積層、巻線を最適にデザインいたします。
We optimize motor design with appropriate magnet, magnetization, lamination and winding based on input voltage & output requirements.