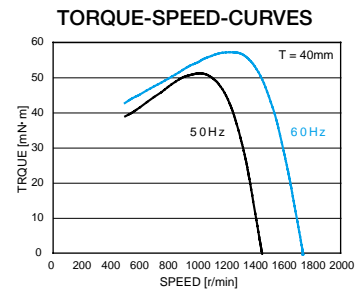
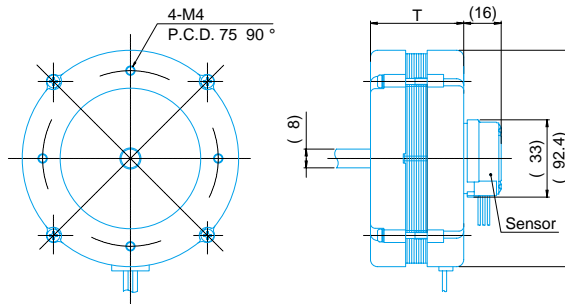


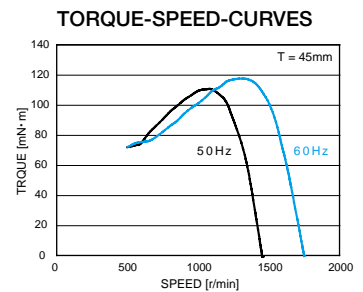
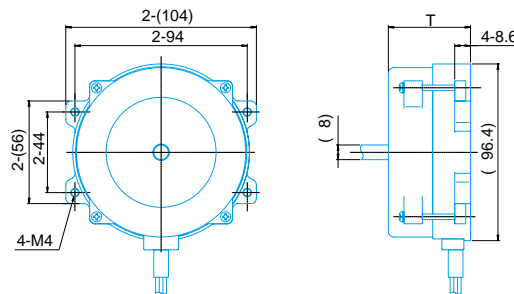
IB(H)-884-B

RATED VOLTAGE : 100 (200) ACV
FREQUENCY : 50 / 60 Hz
RATED OUTPUT : 2 ~ 30 W
RATED SPEED : 1100 ~ 1350 r/min 1400 ~ 1650 r/min
RATED CURRENT : Max 1.5 (Max 1.0) A
T = 40 ~ 55mm



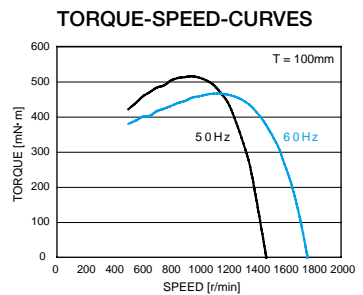
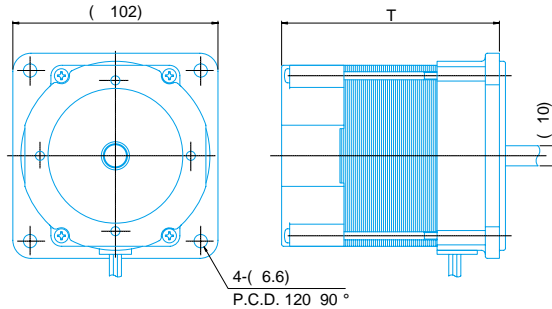
IB-884-C

RATED VOLTAGE : 100 (200) ACV
FREQUENCY : 50 / 60 Hz
RATED OUTPUT : 2 ~ 30 W
RATED SPEED : 1100 ~ 1350 r/min 1400 ~ 1650 r/min
RATED CURRENT : Max 1.5 (Max 1.0) A
T = 45mm or 55mm



IB-92X

RATED VOLTAGE : 100 (200) ACV
FREQUENCY : 50 / 60 Hz
RATED OUTPUT : 10 ~ 50 W
RATED SPEED (2P) : 2000 ~ 2600 r/min 2600 ~ 3000 r/min
RATED SPEED (4P) : 1000 ~ 1300 r/min 1300 ~ 1600 r/min
RATED SPEED (6P) : 700 ~ 850 r/min 900 ~ 1050 r/min
RATED CURRENT : Max 2.0 (Max 1.2) A
T = 85 ~ 120mm



IB-976

RATED VOLTAGE : 100 (200) ACV
FREQUENCY : 50 / 60 Hz
RATED OUTPUT : 5 ~ 35 W
RATED SPEED : 700 ~ 850 r/min 800 ~ 1000 r/min
RATED CURRENT : Max 2.0 (Max 1.2) A

