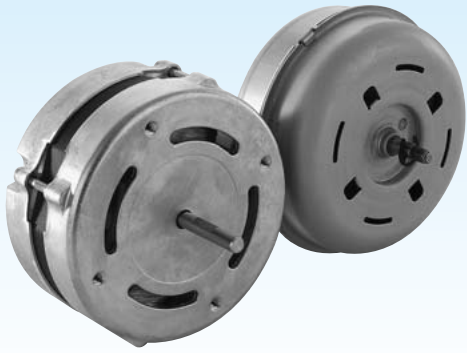


AC誘導タイプ AC Induction Type

クマトリモータ Shaded Coil Motor

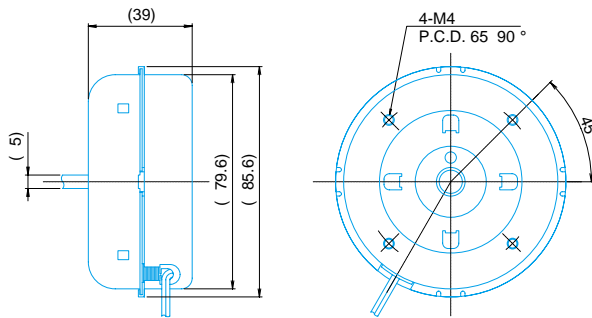


IS(H)- 78 4

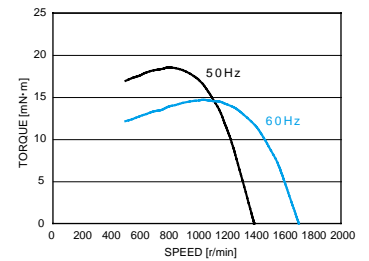
回転検知あり
極数
外径

IS-784-A

RATED VOLTAGE : 100 (200) ACV
FREQUENCY : 50 / 60 Hz
RATED OUTPUT : Max 2 W
RATED SPEED : 900 ~ 1300 r/min 1200 ~ 1500 r/min
RATED CURRENT : Max 0.5 (Max 0.3) A

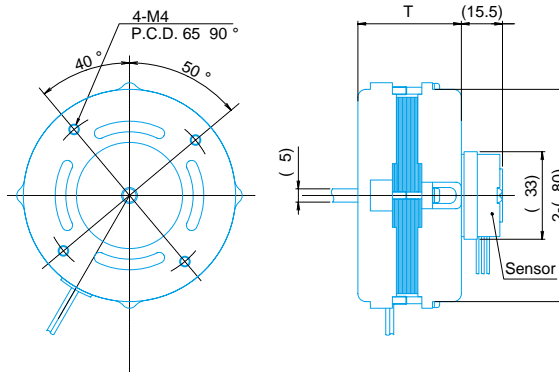


TORQUE-SPEED-CURVES

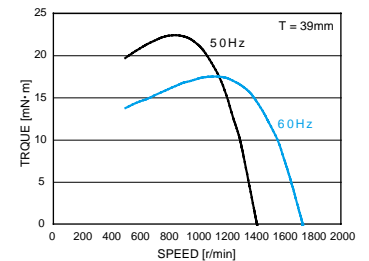


IS(H)-784-B

RATED VOLTAGE : 100 (200) ACV
FREQUENCY : 50 / 60 Hz
RATED OUTPUT : Max 2 W
RATED SPEED : 900 ~ 1300 r/min 1200 ~ 1500 r/min
RATED CURRENT : Max 0.5 (Max 0.3) A
T = 39mm or 40mm



TORQUE-SPEED-CURVES



INFORMATION

電源電圧及び出力のご要求に応じて、積層、巻線を最適にデザインいたします。
We optimize motor design with appropriate lamination and winding based on input voltage & output requirements.